

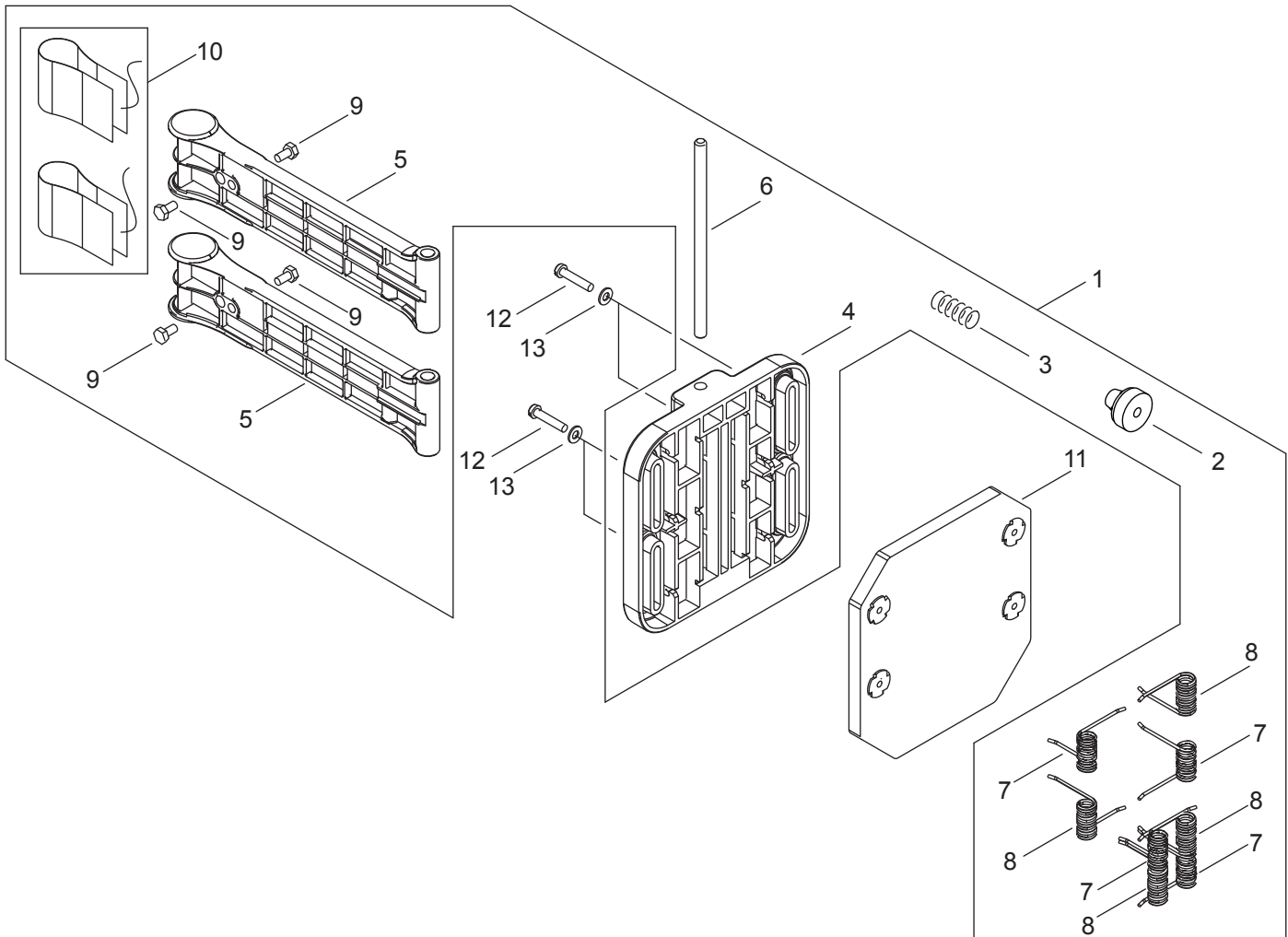
EUROGREEN
Charge Station
Fixed - Mono Zone
(EG-060-00006)
Connected Line

Ver. 20180830

TABLE OF CONTENTS

Charge arm	1
Body, Electrical parts	2
Option	3

Charge arm

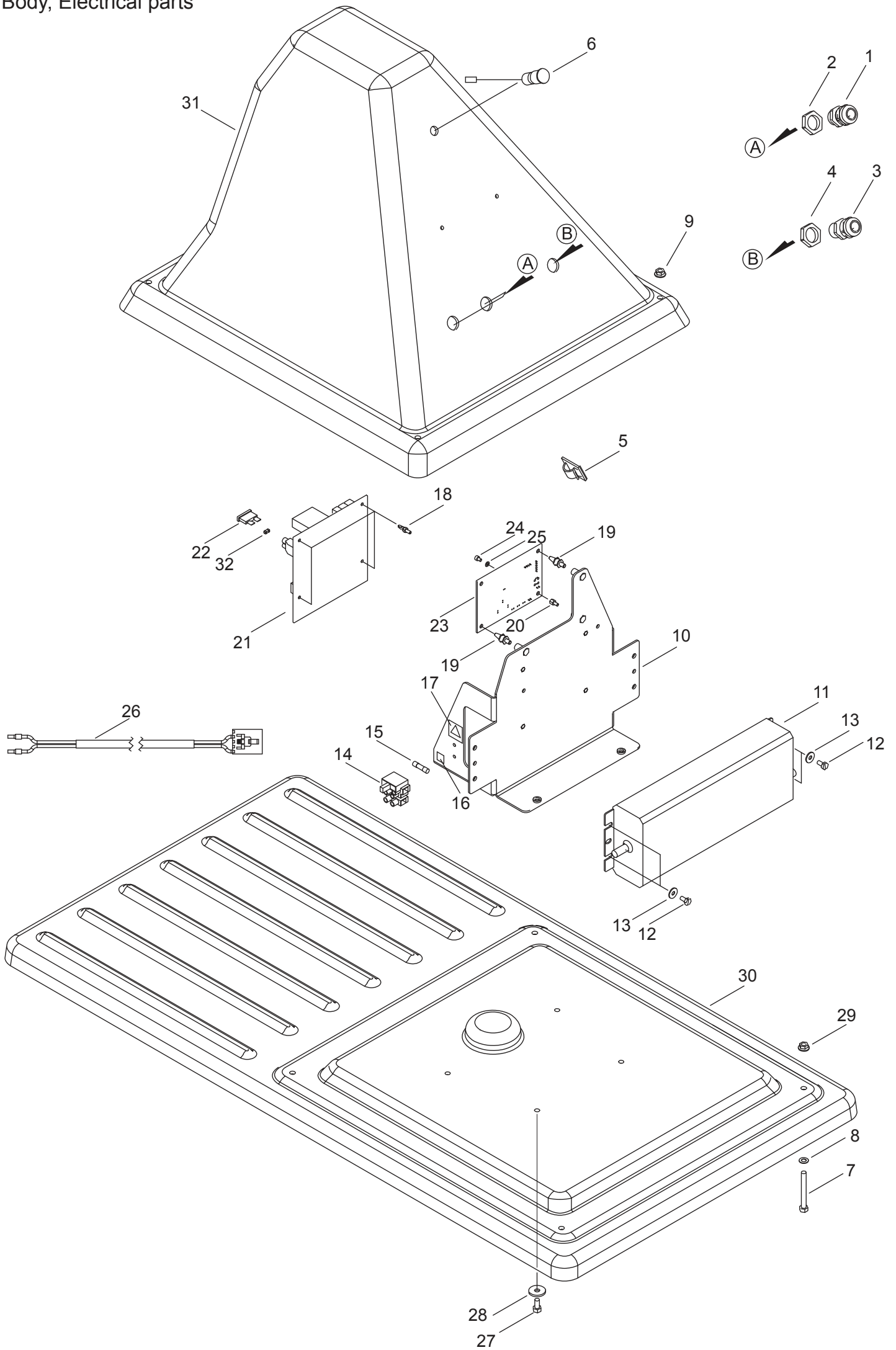


Parts List: EUROGREEN Charge Station Connected Line Mono-zone (EG-060-00006)

*: Revised

Page	Ref.	Part	Description	Qty	Comments
1	1	YB-061-30000	Arm assy kit	(1)	Includes items 2-10
1	2	YB-012-00017	Grommet	1	
1	3	YB-012-00039	Coiled sleeve	1	L:0.15m
1	4	YB-016-00023	Arm support	1	
1	5	YB-016-00024	Arm	2	
1	6	YB-003-00017	Arm axis	1	
1	7	YB-023-00003	SPRING,TORSION	4	
1	8	YB-023-00004	SPRING,TORSION	4	
1	9	YB-503-04008	Screw M4x8	4	
1	10	YB-062-20019	Charge contact assy	1	with both cables
1	11	YB-061-30009	Fixation arm + ins	1	
1	12	YB-513-04020	Screw M4x20	4	
1	13	YB-700-04000	Washer M4	4	

Body, Electrical parts

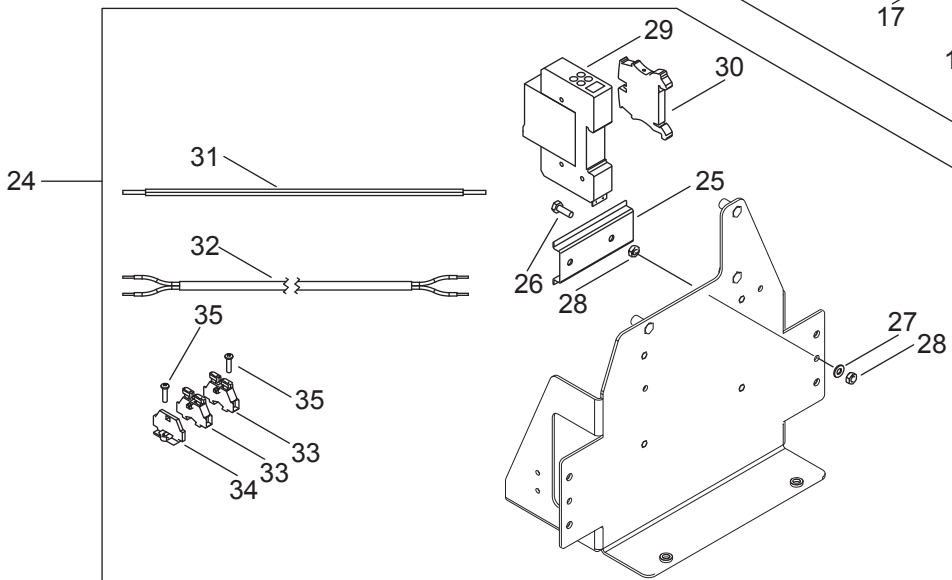
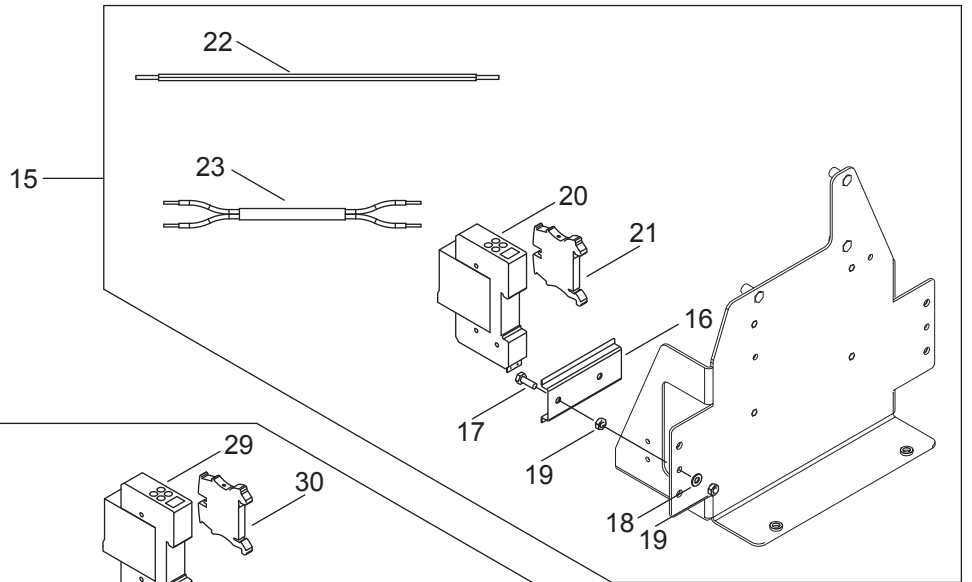
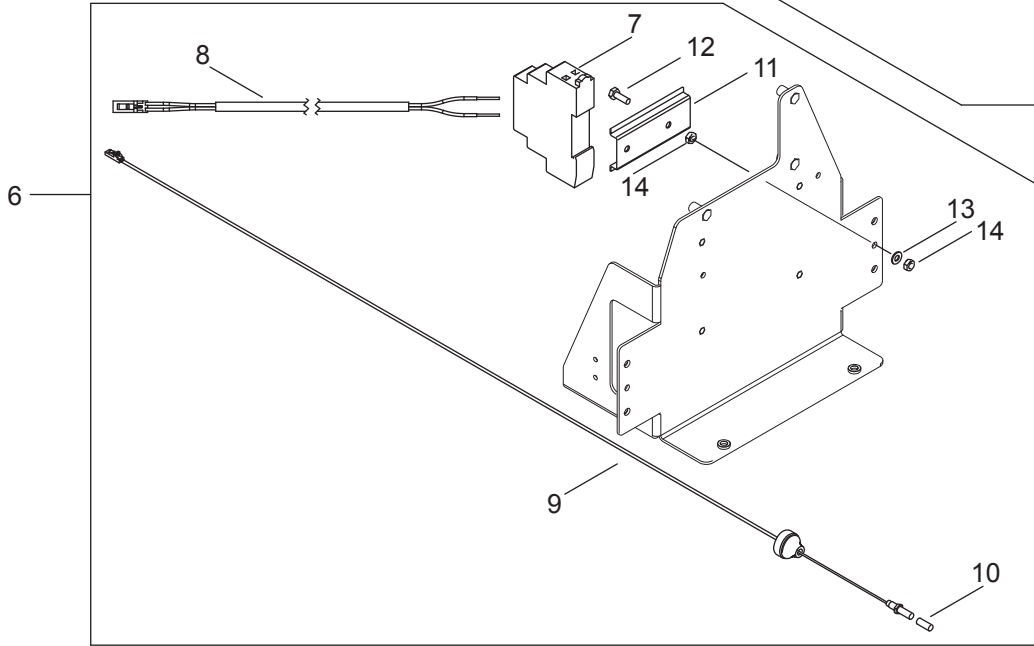
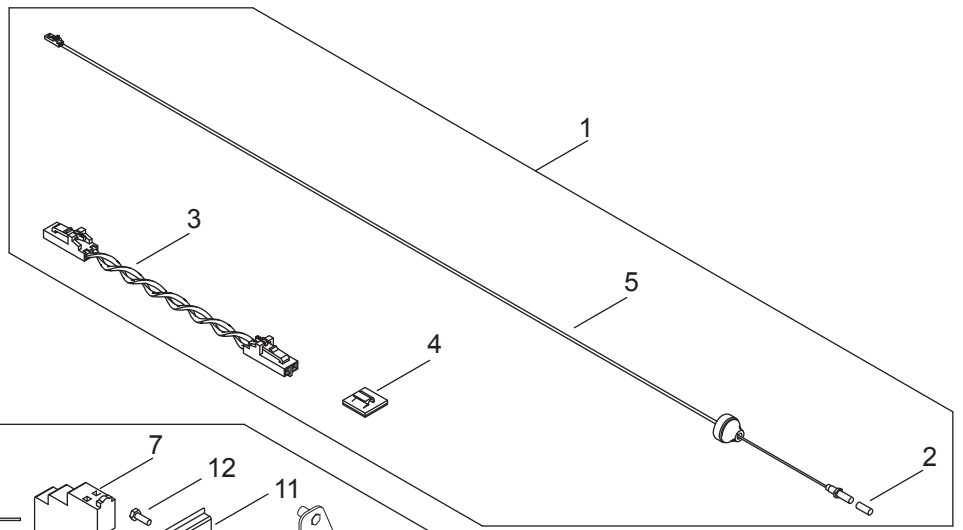


Parts List: EUROGREEN Charge Station Connected Line Mono-zone (EG-060-00006)

*: Revised

Page	Ref.	Part	Description		Qty	Comments
2	1	YB-012-00034	Cable gland	Gray M16	2	
2	2	YB-012-00008	Cable gland nut	Gray M16	2	
2	3	YB-012-00025	Cable gland	Black	1	
2	4	YB-012-00027	Cable gland nut	Black	1	
2	5	YB-012-00019	Cable bushing		4	
2	6	YB-033-00024	Two-color LED cable		1	
2	7	YB-503-05045	Screw M5x45		4	
2	8	YB-701-05000	Washer M5		4	
2	9	YB-805-05000	Nut M5		4	
2	10	YB-000-00040	Station frame		1	
2	11	YB-039-00006	Continuous supply		1	
2	12	YB-511-04008	Screw M4x8		4	
2	13	YB-702-04000	Washer M4x12		4	
2	14	YB-036-00003	3 ways terminal		1	
2	15	YB-039-00007	Fuse	5A	1	
2	16	YB-040-00009	Label, Connection		1	
2	17	YB-040-00008	Label, 230V		1	
2	18	YB-012-00020	Fixation clip		4	
2	19	YB-012-00013	PCB support	M4 h=6,4mm	2	
2	20	YB-002-00002	Hexagonal spacer	M/F 6mm	1	
2	21	YB-032-00009	New signal card		1	
2	22	YB-039-00017	Fuse	20A	1	
2	32	YB-039-00019	Fuse	1A	1	
2	23	YB-032-00010	Positioning board		1	
2	24	YB-506-04006	Screw M4x6		1	
2	25	YB-701-04000	Washer M4		1	
2	26	YB-033-00028	Power supply cable		1	
2	27	YB-503-05010	Screw M5x10		4	
2	28	YB-705-05000	Washer M5x18		4	
2	29	YB-805-05000	Nut M5		4	
2	30	YB-016-00032	Base Plate	Pantn CoolGray9C	1	
2	31	YB-016-00033	Cover	Pantn CoolGray9C	1	

Option



Parts List: EUROGREEN Charge Station Connected Line Mono-zone (EG-060-00006)

*: Revised

Page	Ref.	Part	Description	Qty	Comments
------	------	------	-------------	-----	----------

Options

3	1	YB-062-00010	Busy option kit		1	Cannot use with Timer relay kit
3	2	YB-034-00010	Permanent magnet		1	
3	3	YB-033-00026	Presence cable		1	
3	4	YB-012-00018	Cable bushing		1	
3	5	YB-033-00049	Presence cable		1	

3	6	YB-062-00002	Timer relay kit		1	Cannot use with Busy option kit
3	7	YB-039-00016	Timer module		1	
3	8	YB-033-00055	Cable		1	
3	9	YB-033-00049	Presence cable		1	
3	10	YB-034-00010	Permanent magnet		1	
3	11	YB-000-00065	Rail, DIN		1	
3	12	YB-503-04012	Screw M4x12		1	
3	13	YB-700-04000	Washer M4		1	
3	14	YB-802-04000	Nut M4		2	

3	15	YB-062-00016	AC Surge protect kit	For power supply	1	
3	16	YB-000-00065	Rail, DIN		1	
3	17	YB-503-04012	Screw M4x12		1	
3	18	YB-700-04000	Washer M4		1	
3	19	YB-802-04000	Nut M4		2	
3	20	YB-039-00018	AC Surge Protector		1	
3	21	YB-039-00014	Terminal Block	Yellow/Green	1	
3	22	YB-033-00063	Cable, Earth	Yellow&Green	1	
3	23	YB-033-00079	Cable, surge kit	Red&Black	1	

3	24	YB-062-00000	Surge protect kit	Periph.wire side	1	Mono-zone
3	25	YB-000-00065	Rail, DIN		1	
3	26	YB-503-04012	Screw M4x12		1	
3	27	YB-700-04000	Washer M4		1	
3	28	YB-802-04000	Nut M4		2	
3	29	YB-039-00013	Surge Protector		1	
3	30	YB-039-00014	Terminal Block	Yellow/Green	1	
3	31	YB-033-00063	Cable, Earth	Yellow&Green	1	
3	32	YB-033-00053	Cable, surge kit	Red&Black	2	
3	33	YB-039-00011	Terminal Block		2	
3	34	YB-039-00010	Lid, Terminal Block		1	
3	35	YB-505-03012	Screw M3x12		2	

(This kit is a Standard components for Eurogreen model)